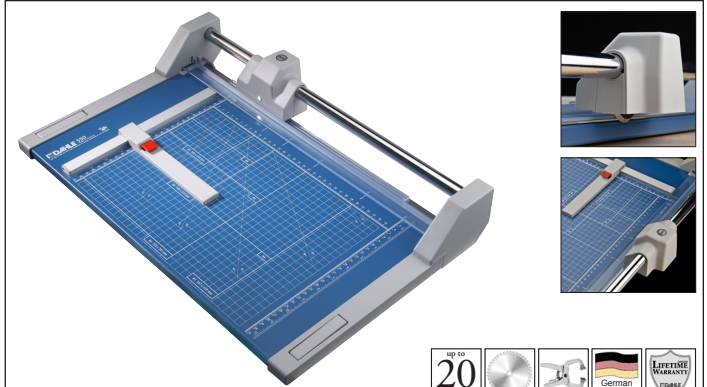


PERSONAL SERIES

- Ground steel blade is encased in protective housing
- Cuts up to 7 sheets of paper at a time (*straight*)
- Self-sharpening blade cuts in both directions
- Automatic paper clamp holds work securely
- Sturdy metal base with preprinted guides
- Imprinted protractor for angled cuts
- German Engineered for precision and accuracy
- Great for photographers, crafters, and office professionals

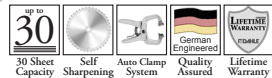
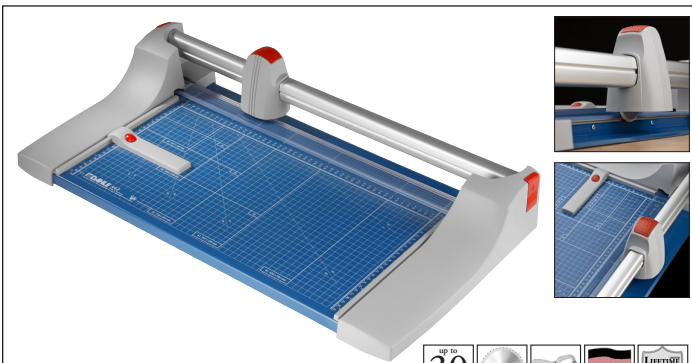
Item	Cut Length	Capacity	Dimensions
507	12 1/2"	7 Sheets	17" x 8 1/4"
508	18"	7 Sheets	22 1/2" x 8 1/4"



PROFESSIONAL SERIES

- Blade is encased in a protective housing
- Cuts up to 20 sheets of paper at a time (*550 - 554*)
- Self sharpening blade cuts in either direction
- Automatic paper clamp holds work securely
- Sturdy metal base with preprinted guides
- German Engineered for precision and accuracy

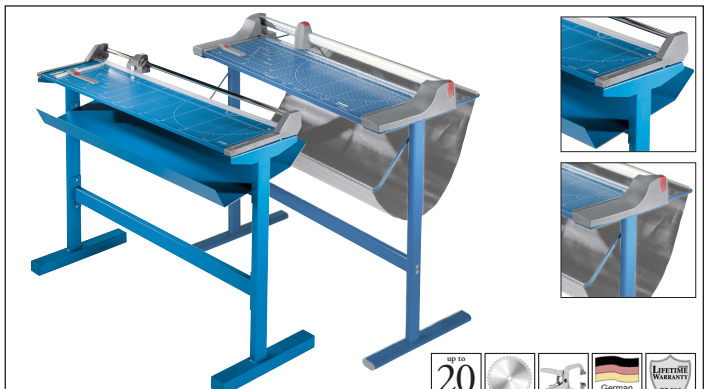
Item	Cut Length	Capacity	Dimensions	Floor Stand
550	14 1/8"	20 Sheets	21 3/4" x 14 1/8"	-na-
552	20 1/8"	20 Sheets	27 3/4" x 14 1/8"	-na-
554	28 1/4"	20 Sheets	36" x 14 1/8"	-na-
556	37 1/2"	14 Sheets	45 1/2" x 14 1/8"	Item 696
558	51"	12 Sheets	58 1/2" x 14 1/8"	Item 698



PREMIUM SERIES

- Blade is encased in a protective housing
- Cuts up to 30 sheets of paper at a time (*440 - 444*)
- Easily trims standard size mat board
- Self sharpening blade cuts in either direction
- Sturdy metal base with automatic paper clamp
- German engineered for precision and accuracy

Item	Cut Length	Capacity	Dimensions	Floor Stand
440	14 1/8"	30 Sheets	22" x 15 1/8"	-na-
442	20 1/8"	30 Sheets	28" x 15 1/8"	-na-
444	26 3/8"	25 Sheets	34 1/4" x 15 1/8"	-na-
446	36 1/4"	22 Sheets	44 1/8" x 15 1/8"	Item 796
448	51 1/8"	20 Sheets	59" x 15 1/8"	Item 798
472	72"	12 Sheets	79 1/2" x 15 1/8"	Item 799



LARGE FORMAT

- Blade is encased in protective housing
- Cuts up to 22 sheets of paper at a time (*446S*)
- Easily trims standard size mat board (*446S & 448S*)
- Self-sharpening blade cuts in both directions
- Includes stand for optimal trimming height
- German Engineered for precision and accuracy

Item	Cut Length	Capacity	Dimensions
556 S	37 1/2"	14 Sheets	45 1/2" x 14 1/8"
558 S	51"	12 Sheets	58 1/2" x 14 1/8"
446 S	36 1/4"	22 Sheets	44 1/8" x 15 1/8"
448 S	51 1/8"	20 Sheets	59" x 15 1/8"
472 S	72"	12 Sheets	79 1/2" x 15 1/8"