



OVERVIEW

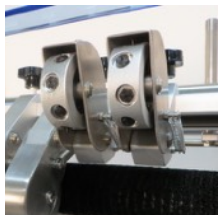
Model PP-5600E is an entry-level, fully automatic L-Sealer which provides an economical, durable and user-friendly solution for those who already have one or two semi-automatic L-Sealers and need to increase production speed and reduce labor costs.

The sealing system is capable of performing a smooth and firm seal line for a wide range of products such as toys, cosmetics, tools, food, electric appliances, etc. Use of photo sensors and timers controls the bag length for sealing. Excellent perforation system design allows the pin to be changed easily.

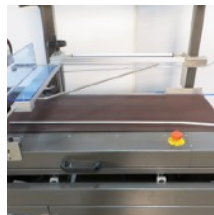
KEY FEATURES

- Teflon coated hot knife seal blade
- Fixed belt speed at 65 FPM
- Multiple pinwheel hole punches
- Large seal area (22"L x 18"W x 4.75"H)
- Dual emergency stop switches
- Self-contained scrap removal system
- Plexi-glas safety covers
- Dual photo-eye (horizontal & vertical)
- Film miser - helps track film
- Locking casters with leveling pads
- Max film width os 24"

Seal Area	22"L x 18"W x 4.75"H
Machine Speed	20-25 PPM
Electrical	220V, 1 Phase, 20 Amp
Air	2 cfm @ 80 psi
Minimum pkg size	3.9" x 2.5" x 1/8"
Maximum pkg size	21"L x 17"W x 4.75"
Maximum film width	24"
Machine dimensions	
Crated dimensions	75"L x 43"W x 74"H
Shipping weight	880 lbs
Warranty	1 year on parts



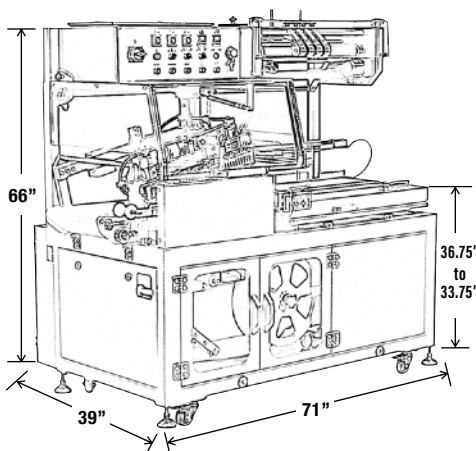
Pin Wheel Hole Punch



Adjustable Inverting Head
with air injector for better-looking packages



Film Miser - helps track film allowing for smaller width film rolls to save money



OPTIONS

- 3ft or 6ft flighted infeed
- 3ft or 6ft belted conveyors
- Flight bar conveyors for multi-packs
- Variable speed conveyor (0-90 FPM)
- Closing conveyor
- Print registration